

OUTDOOR LIVING DESIGNS

LENZA

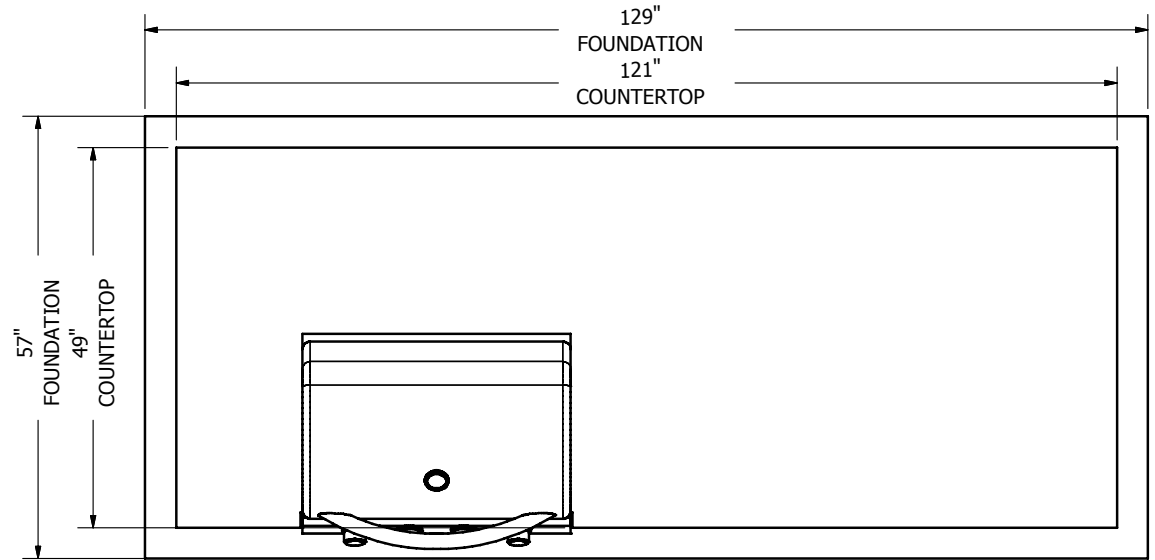
45 X 117 GRILL TOP - LEFT DOOR DESIGN

LENZA - 45 x 117 GRILL TOP - LEFT DOOR DESIGN

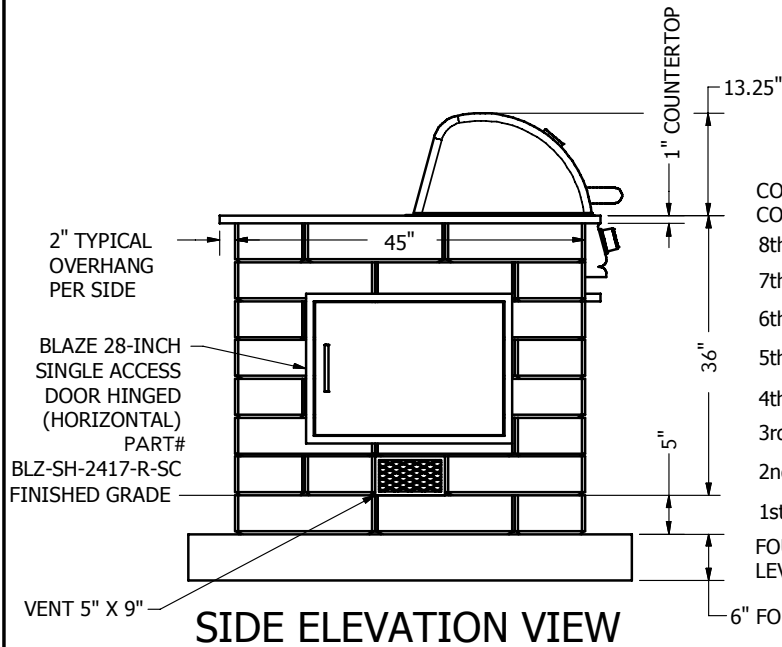
OUTDOOR LIVING DESIGNS

NOTE:

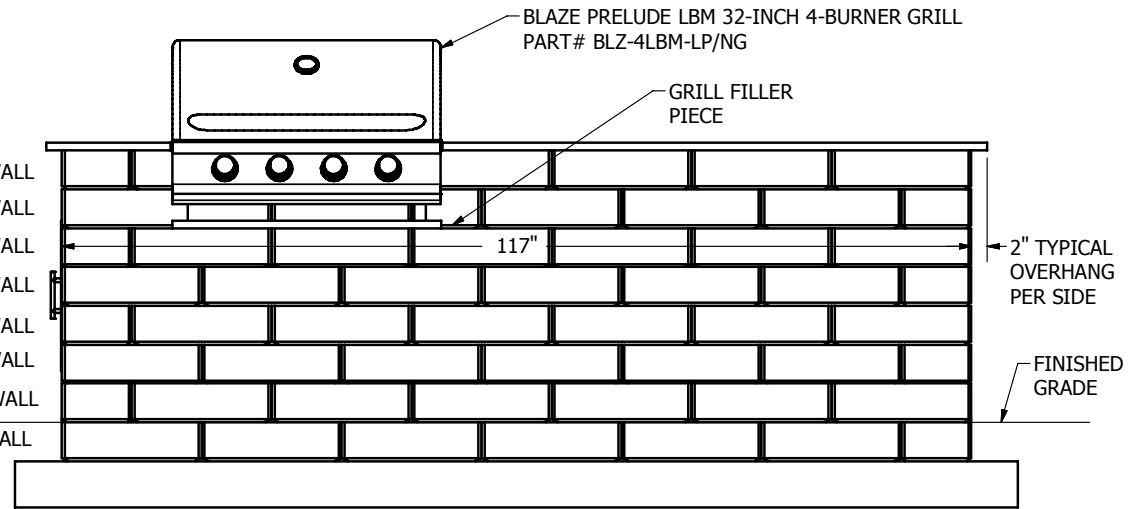
1. WALL UNITS TO BE INSTALLED WITH CHANNEL ON THE BOTTOM SIDE IN ORDER TO GET THE PROPER CONTEMPORARY ESTHETIC LOOK. (WALL PRODUCT TO BE INVERTED 180 DEGREES FROM FINISHED PALLET WHEN INSTALLED).
2. SECURE EACH UNIT USING APPROVED ADHESIVE OR BONDING AGENT FOLLOWING APPLICATION DIRECTIONS PROVIDED BY PRODUCT SUPPLIER.
3. THIS DESIGN REQUIRES CUTTING UNITS TO PROPERLY FIT THE GRILL TOP AND ACCESS DOOR.
4. BUILT-IN GRILL INSERT AND ACCESS DOOR TO BE INSTALLED PER MANUFACTURES RECOMMENDATIONS.
5. STRUCTURAL SUPPORT FOR BLOCK UNITS OVER OPENINGS NOT SHOWN FOR VISUAL PURPOSES.
6. FOR PROPER INSTALLATION OF GAS GRILL REFER TO BLAZE OUTDOOR PRODUCTS - USE & CARE GUIDE GAS GRILLS BLZ-4LBM (NG/LP).
7. ALL DIMENSIONS ARE IN INCHES.



PLAN VIEW



SIDE ELEVATION VIEW

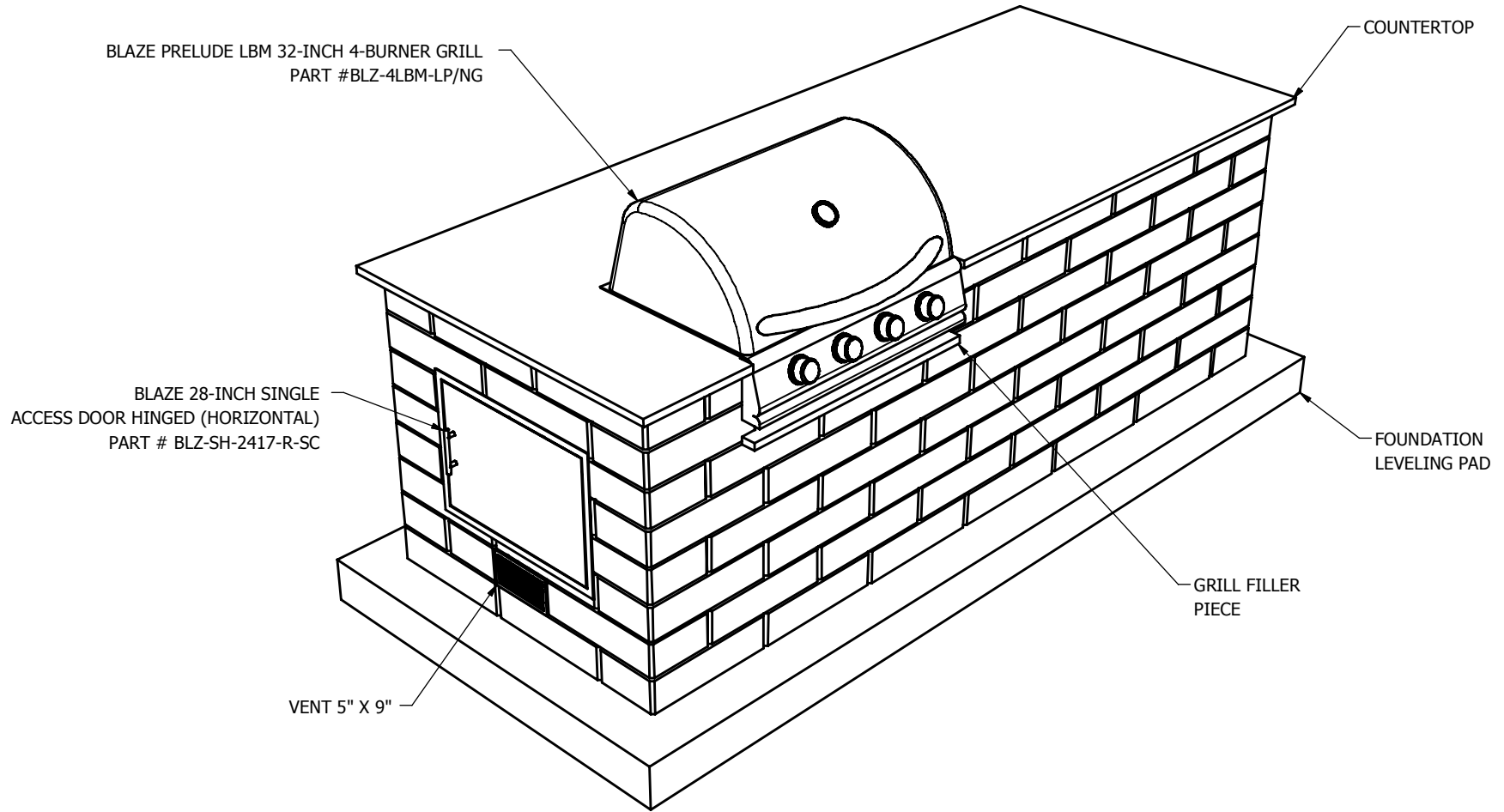


FRONT ELEVATION VIEW

PRODUCT COUNTS:
(128) TOTAL WALL UNITS

LENZA - 45 x 117 GRILL TOP - LEFT DOOR DESIGN

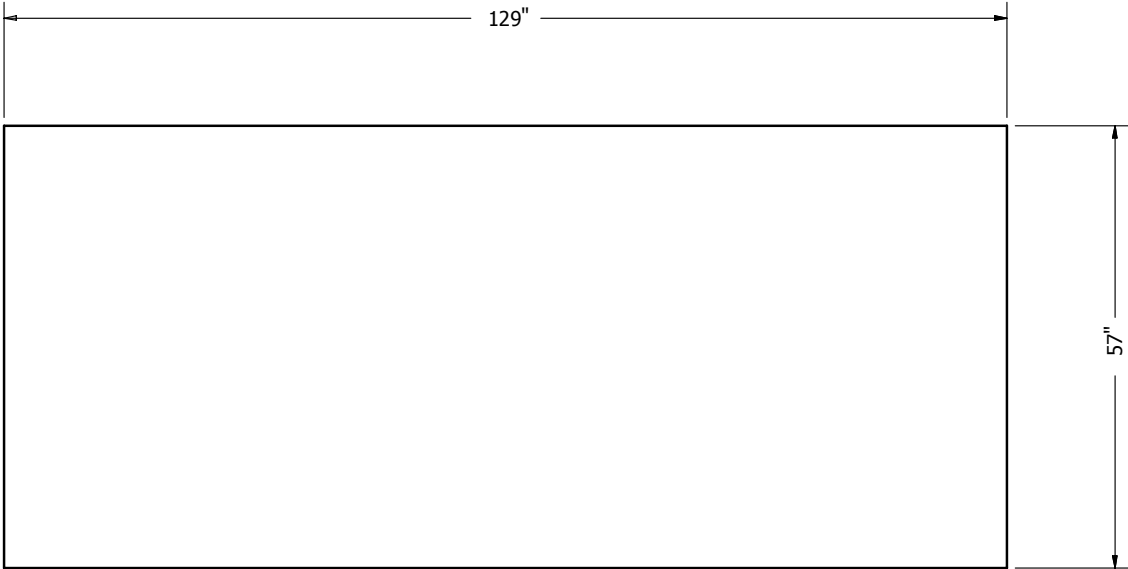
OUTDOOR LIVING DESIGNS



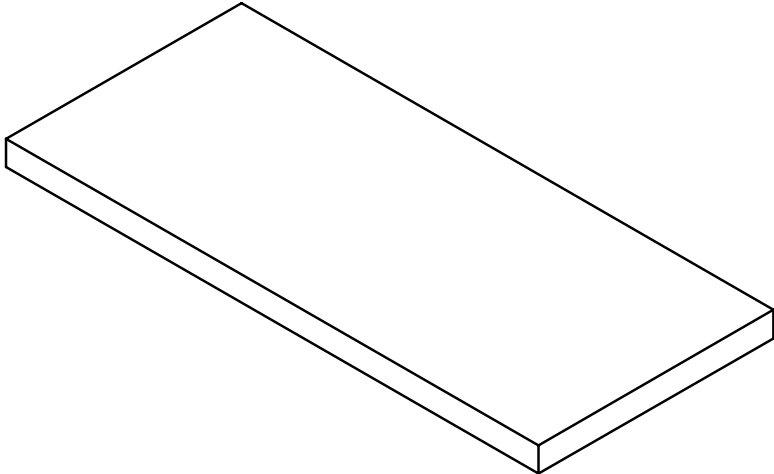
ISOMETRIC VIEW

LENZA - 45 x 117 GRILL TOP - LEFT DOOR CUT DESIGN - LEFT DOOR DESIGN

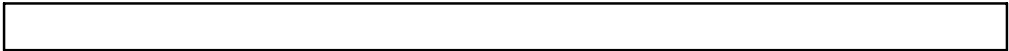
LENZA - 45 x 117 GRILL TOP - LEFT DOOR DESIGN



PLAN VIEW



ISOMETRIC VIEW



FRONT ELEVATION VIEW

CRUSHED STONE OR
REINFORCED CONCRETE
LEVELING PAD

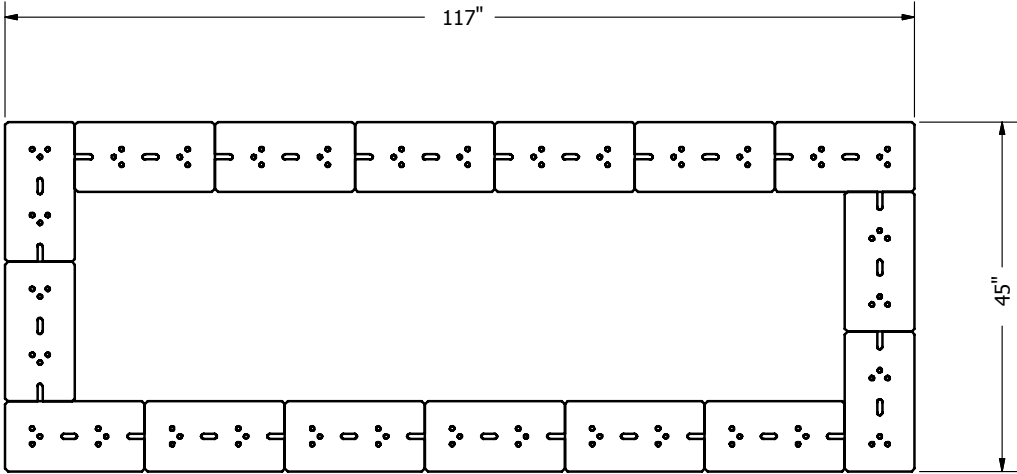


SIDE ELEVATION VIEW

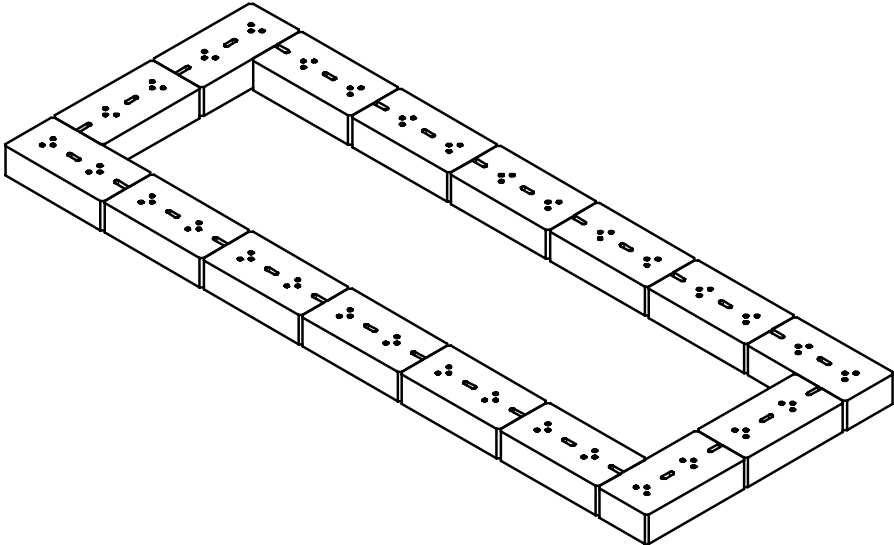
LENZA - 45 x 117 GRILL TOP - LEFT DOOR CUT DESIGN - FOUNDATION LEVELING PAD

LENZA - 45 x 117 GRILL TOP - LEFT DOOR DESIGN

NOTE:
1. WALL UNITS TO BE INSTALLED WITH CHANNEL ON THE BOTTOM SIDE
(PRODUCT IS TO BE INVERTED 180 DEGREES FROM FINISHED PALLET).



PLAN VIEW



ISOMETRIC VIEW



ELEVATION VIEW



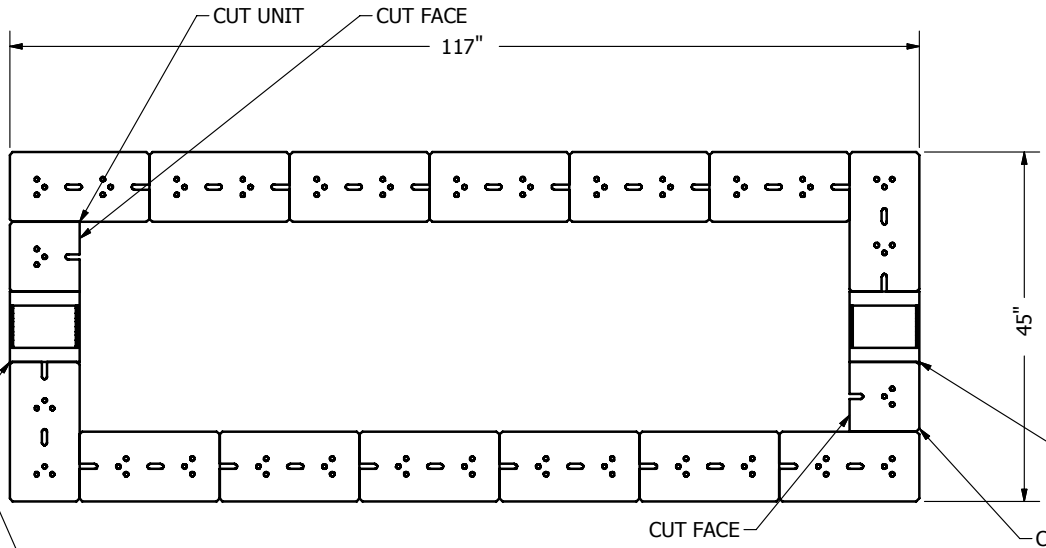
SIDE ELEVATION VIEW

PRODUCT COUNTS:
(16) TOTAL WALL UNITS

LENZA - 45 x 117 GRILL TOP - LEFT DOOR CUT DESIGN - 1st COURSE

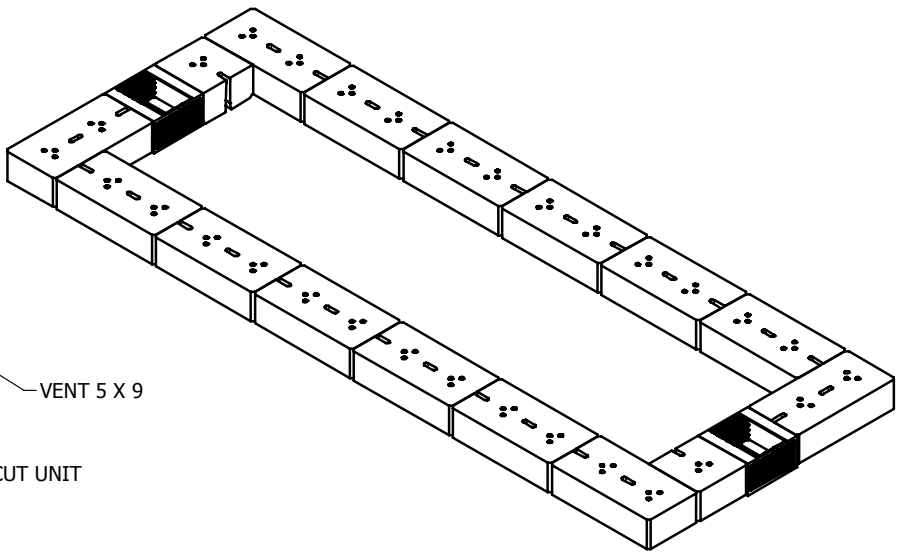
LENZA - 45 x 117 GRILL TOP - LEFT DOOR DESIGN

OUTDOOR LIVING DESIGNS



PLAN VIEW

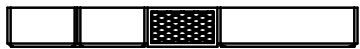
NOTE:
1. WALL UNITS TO BE INSTALLED WITH CHANNEL ON THE BOTTOM SIDE (PRODUCT IS TO BE INVERTED 180 DEGREES FROM FINISHED PALLET).



ISOMETRIC VIEW



FRONT ELEVATION VIEW



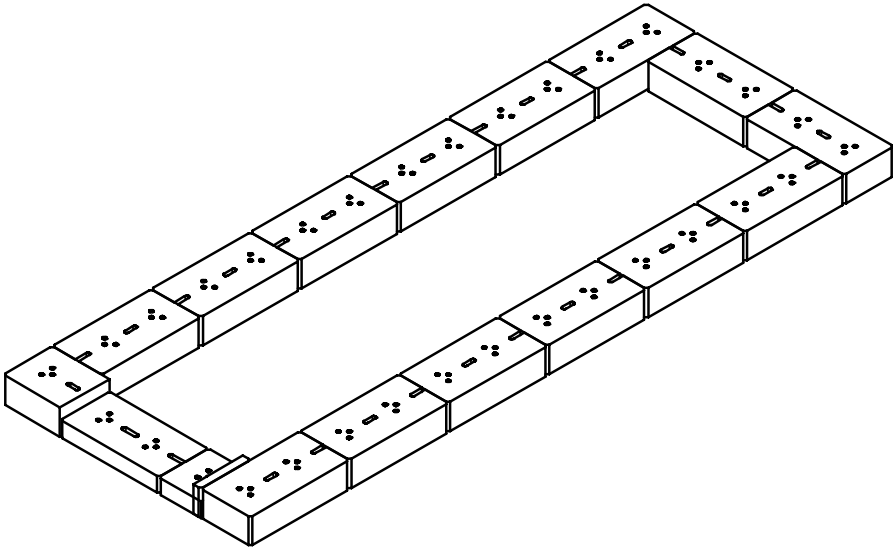
SIDE ELEVATION VIEW

PRODUCT COUNTS:
(16) TOTAL WALL UNITS

LENZA - 45 x 117 GRILL TOP - LEFT DOOR CUT DESIGN - 2nd COURSE

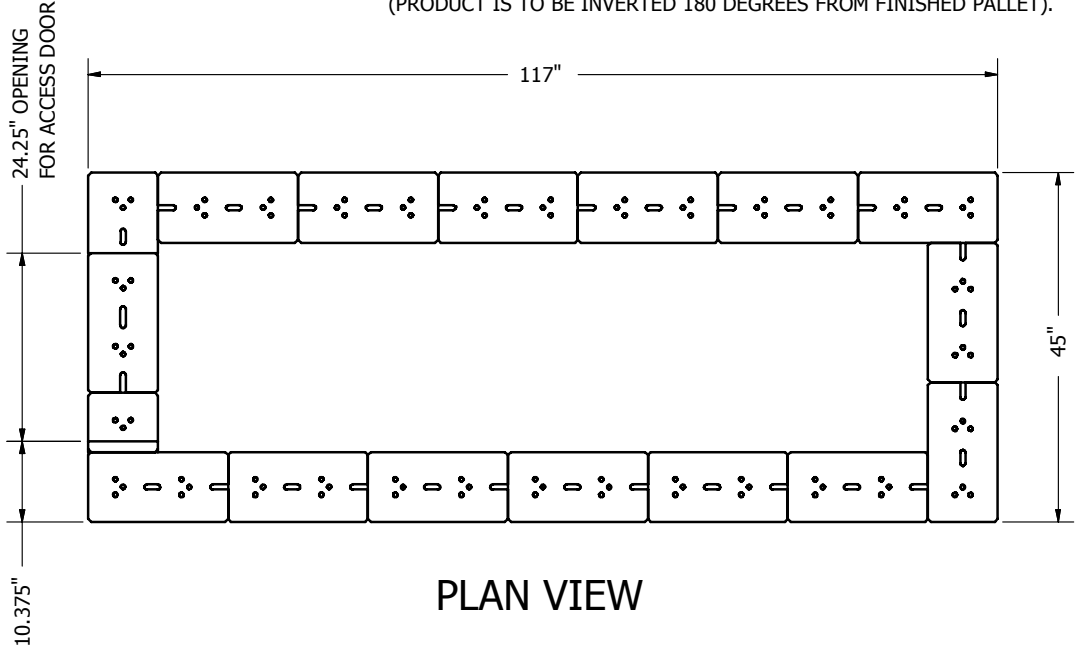
LENZA - 45 x 117 GRILL TOP - LEFT DOOR DESIGN

OUTDOOR LIVING DESIGNS

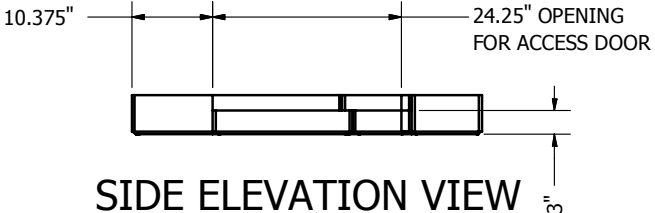


ISOMETRIC VIEW

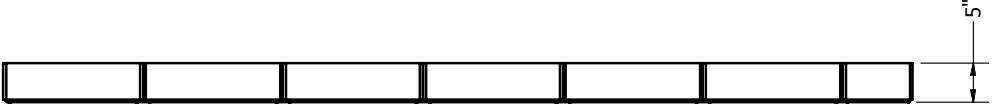
NOTE:
 1. WALL UNITS TO BE INSTALLED WITH CHANNEL ON THE BOTTOM SIDE
 (PRODUCT IS TO BE INVERTED 180 DEGREES FROM FINISHED PALLET).



PLAN VIEW



SIDE ELEVATION VIEW



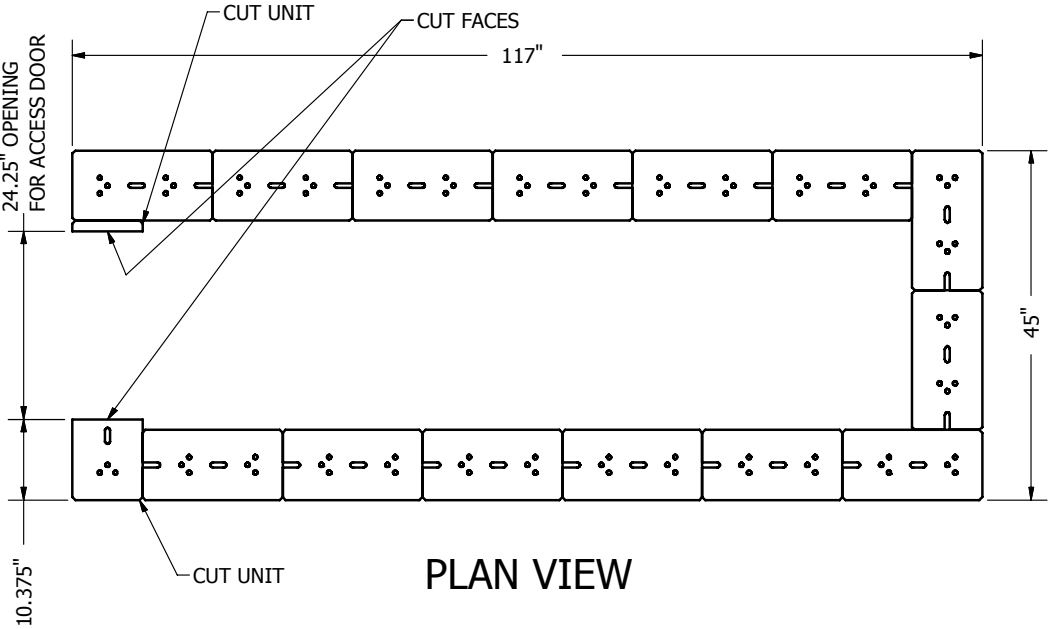
FRONT ELEVATION VIEW

PRODUCT COUNTS:
 (18) TOTAL WALL UNITS

LENZA - 45 x 117 GRILL TOP - LEFT DOOR CUT DESIGN - 3rd COURSE

LENZA - 45 x 117 GRILL TOP - LEFT DOOR DESIGN

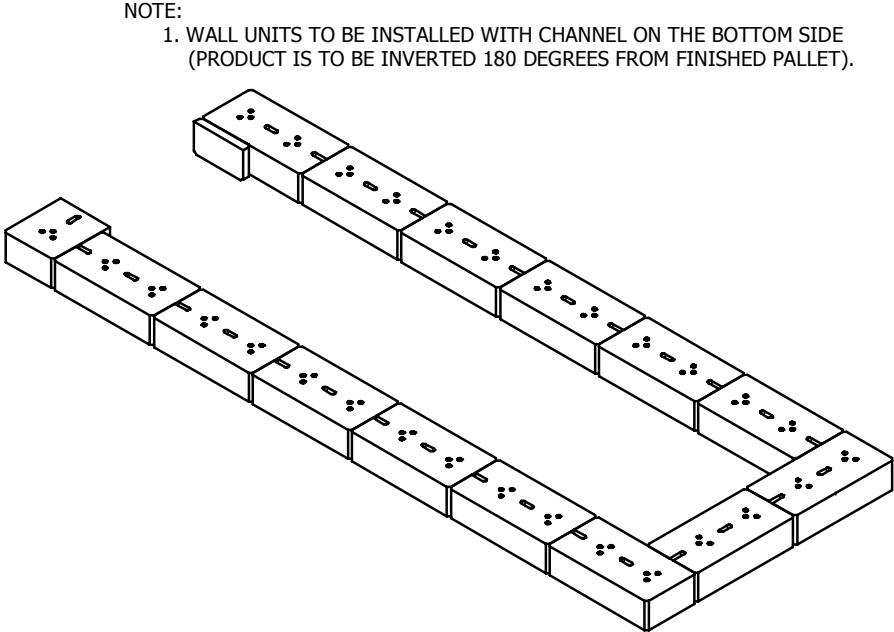
OUTDOOR LIVING DESIGNS



PLAN VIEW



FRONT ELEVATION VIEW



ISOMETRIC VIEW



SIDE ELEVATION VIEW

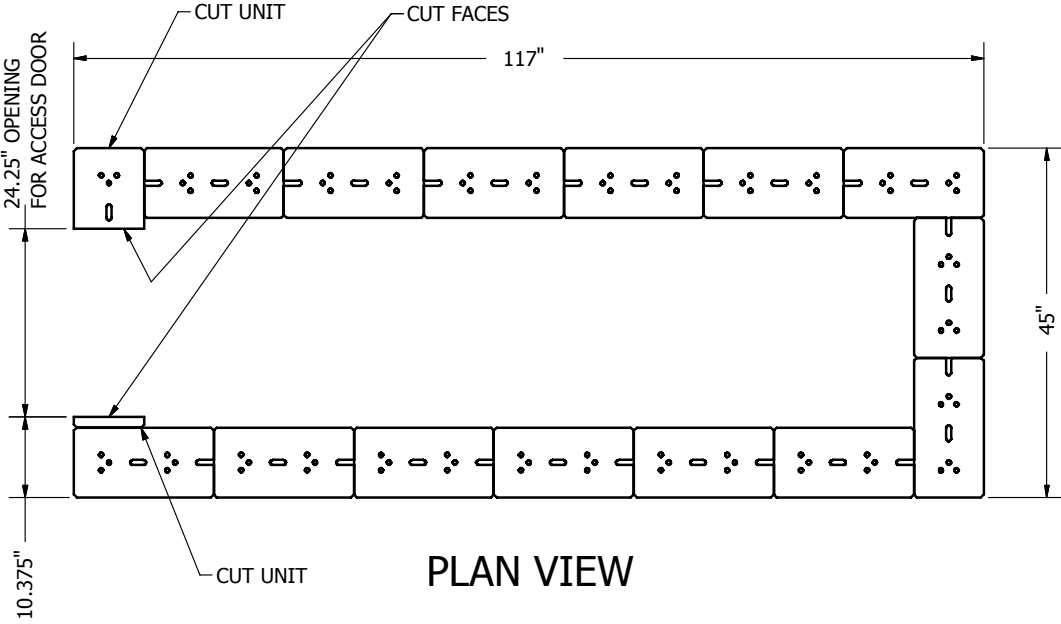
NOTE:
 1. WALL UNITS TO BE INSTALLED WITH CHANNEL ON THE BOTTOM SIDE (PRODUCT IS TO BE INVERTED 180 DEGREES FROM FINISHED PALLET).

PRODUCT COUNTS:
 (16) TOTAL CAP UNITS

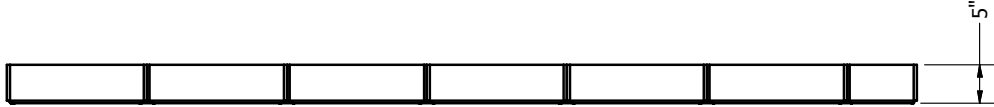
LENZA - 45 x 117 GRILL TOP - LEFT DOOR CUT DESIGN - 4th AND 6th COURSES

LENZA - 45 x 117 GRILL TOP - LEFT DOOR DESIGN

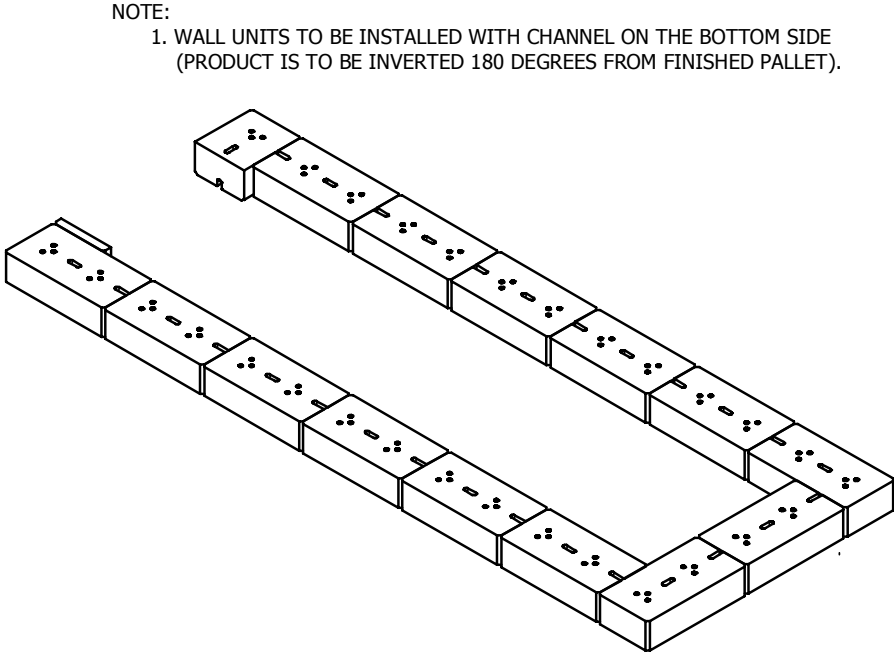
OUTDOOR LIVING DESIGNS



PLAN VIEW



FRONT ELEVATION VIEW



ISOMETRIC VIEW



SIDE ELEVATION VIEW

PRODUCT COUNTS:
(16) TOTAL CAP UNITS

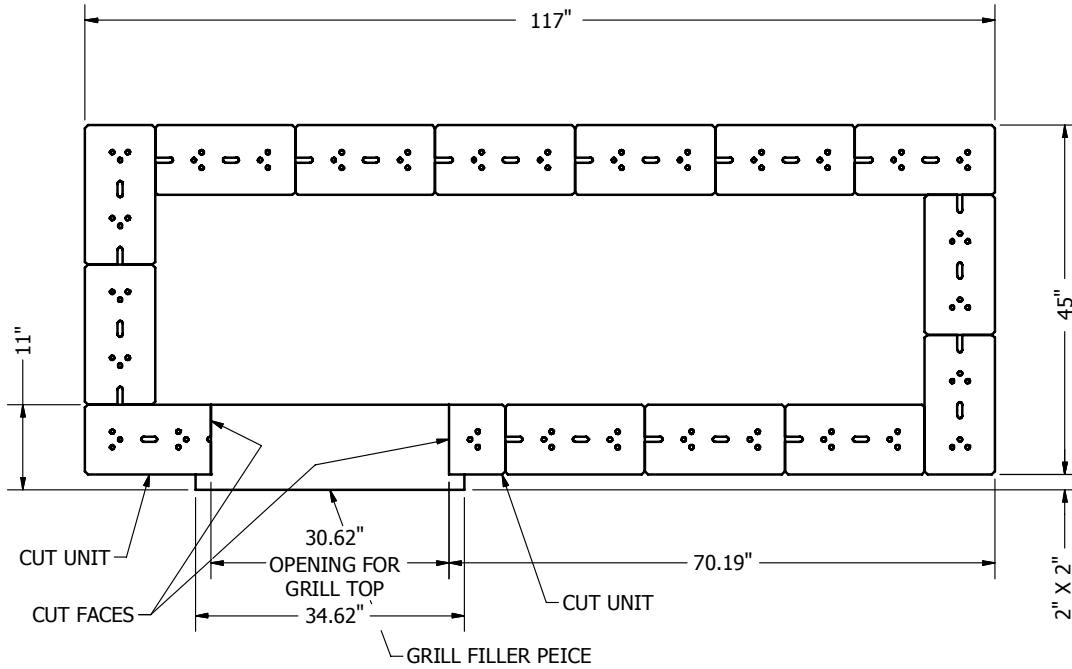
LENZA - 45 x 117 GRILL TOP - LEFT DOOR CUT DESIGN - 5th COURSE

LENZA - 45 x 117 GRILL TOP - LEFT DOOR DESIGN

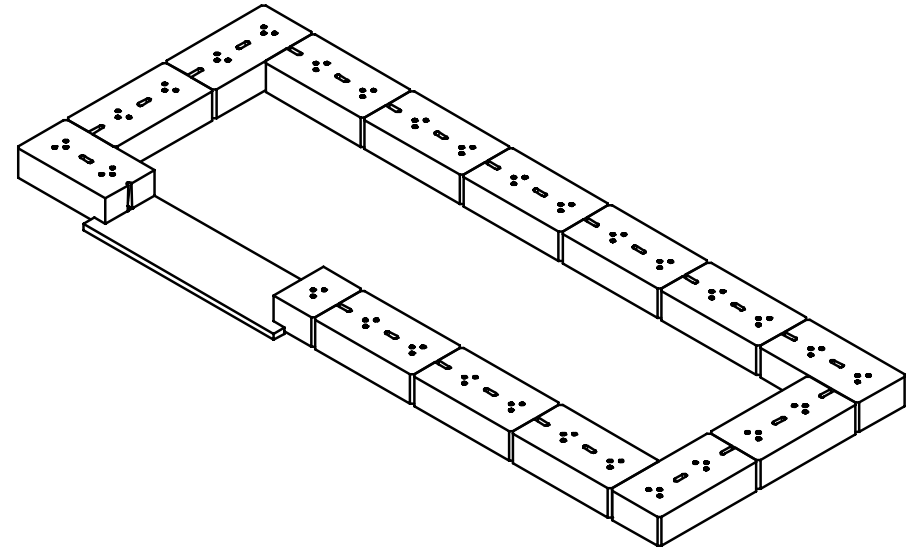
OUTDOOR LIVING DESIGNS

NOTE:

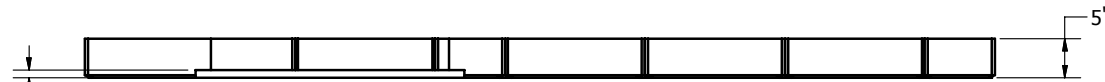
1. WALL UNITS TO BE INSTALLED WITH CHANNEL ON THE BOTTOM SIDE (PRODUCT IS TO BE INVERTED 180 DEGREES FROM FINISHED PALLET).
2. GRILL FILLER PIECE IS TO BE MADE FROM THE SAME MATERIAL AS THE COUNTER TOP, (1" ± THICK).
3. UNLESS OTHERWISE DIRECTED INSTALL AND SECURE GRILL FILLER PIECE WITH APPROVED ADHESIVE OR BONDING AGENT.



PLAN VIEW



FRONT ELEVATION VIEW



FRONT ELEVATION VIEW



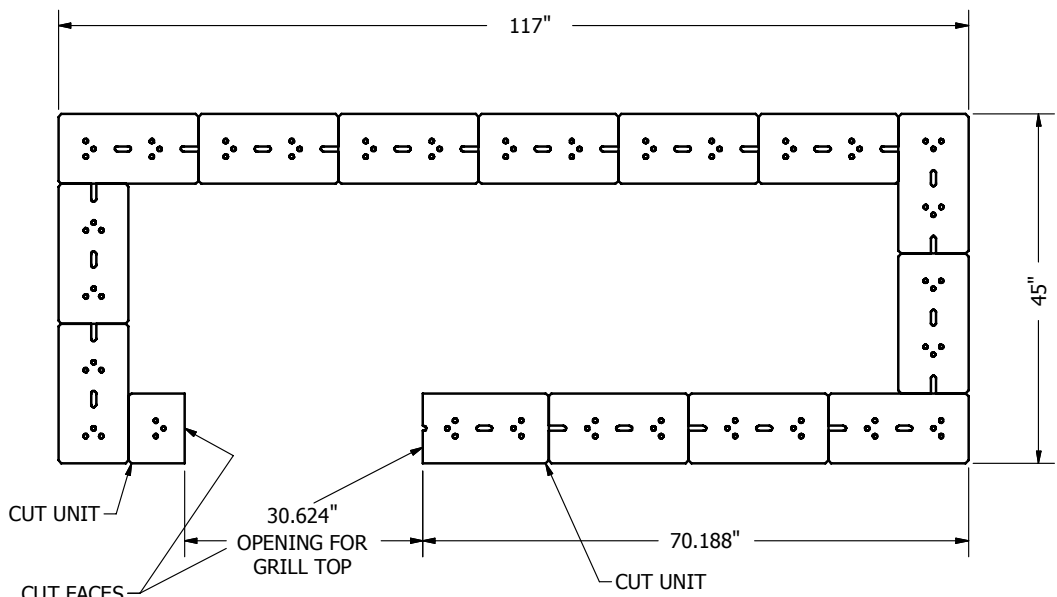
SIDE ELEVATION VIEW

PRODUCT COUNTS:
(15) TOTAL WALL UNITS

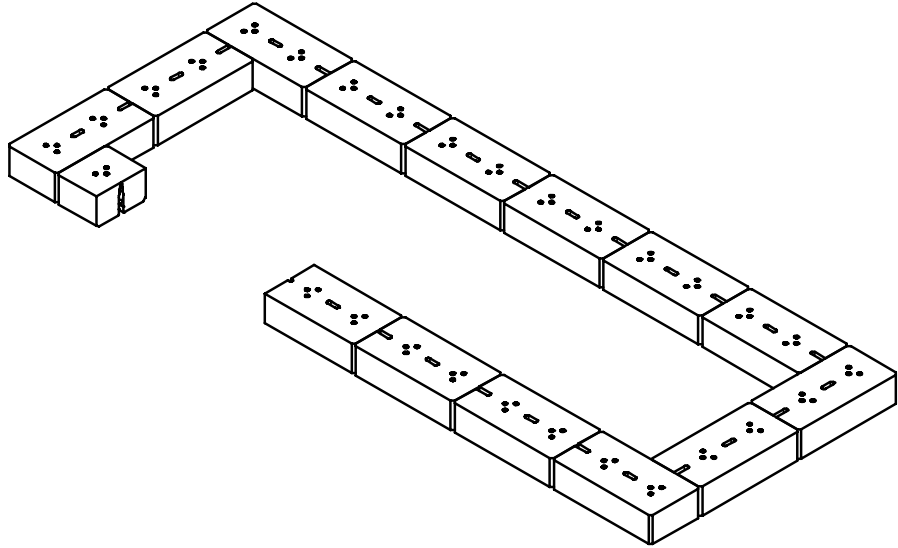
LENZA - 45 x 117 GRILL TOP - LEFT DOOR CUT DESIGN - 7th COURSE

LENZA - 45 x 117 GRILL TOP - LEFT DOOR DESIGN

NOTE:
 1. WALL UNITS TO BE INSTALLED WITH CHANNEL ON THE BOTTOM SIDE
 (PRODUCT IS TO BE INVERTED 180 DEGREES FROM FINISHED PALLET).



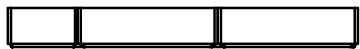
PLAN VIEW



ISOMETRIC VIEW



FRONT ELEVATION VIEW



SIDE ELEVATION VIEW

PRODUCT COUNTS:
 (15) TOTAL WALL UNITS

LENZA - 45 x 117 GRILL TOP - LEFT DOOR CUT DESIGN - 8th COURSE

LENZA - 45 x 117 GRILL TOP - LEFT DOOR DESIGN

